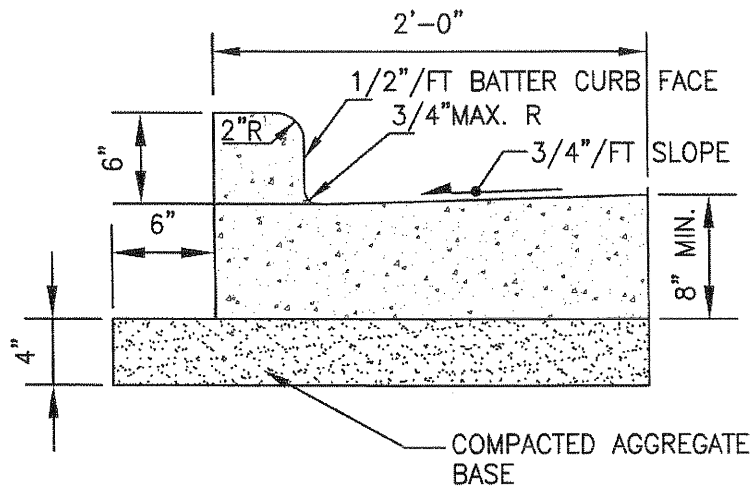


# TYPICAL CURB & GUTTER



NO SCALE

30" TYPE A & D

## NOTES:

- EXPANSION JOINTS W/ 1/2" PREFORMED EXPANSION JOINT MATERIAL SHALL BE PLACED:
  - AT ENDS OF INTERSECTION RADII, P.C.'S, RADIUS POINTS, & END OF CUL-DE-SACS
  - 5 FT. ON EACH SIDE OF DRAINAGE STRUCTURES
  - MAX. OF 60 FT. INTERVALS
- TOOL OR SAWCUT CONTRACTION JOINTS AT 12 TO 15 FT. INTERVALS 2" DEEP.
- SAWCUTS SHALL BE MADE WITHIN TWENTY-FOUR (24) HRS. AND SEALED W/ JOINT SEALANT, JOINTS SHALL BE CLEAN AND DRY PRIOR TO APPLICATION OF SEALANT.

FIGURE 4